

Base 3 cassetti, con ruote, pomoli rettangolari  
3 drawers unit on wheels with square knobs

PESO / WEIGHT: kg 19,00  
VOLUME: 0,1340

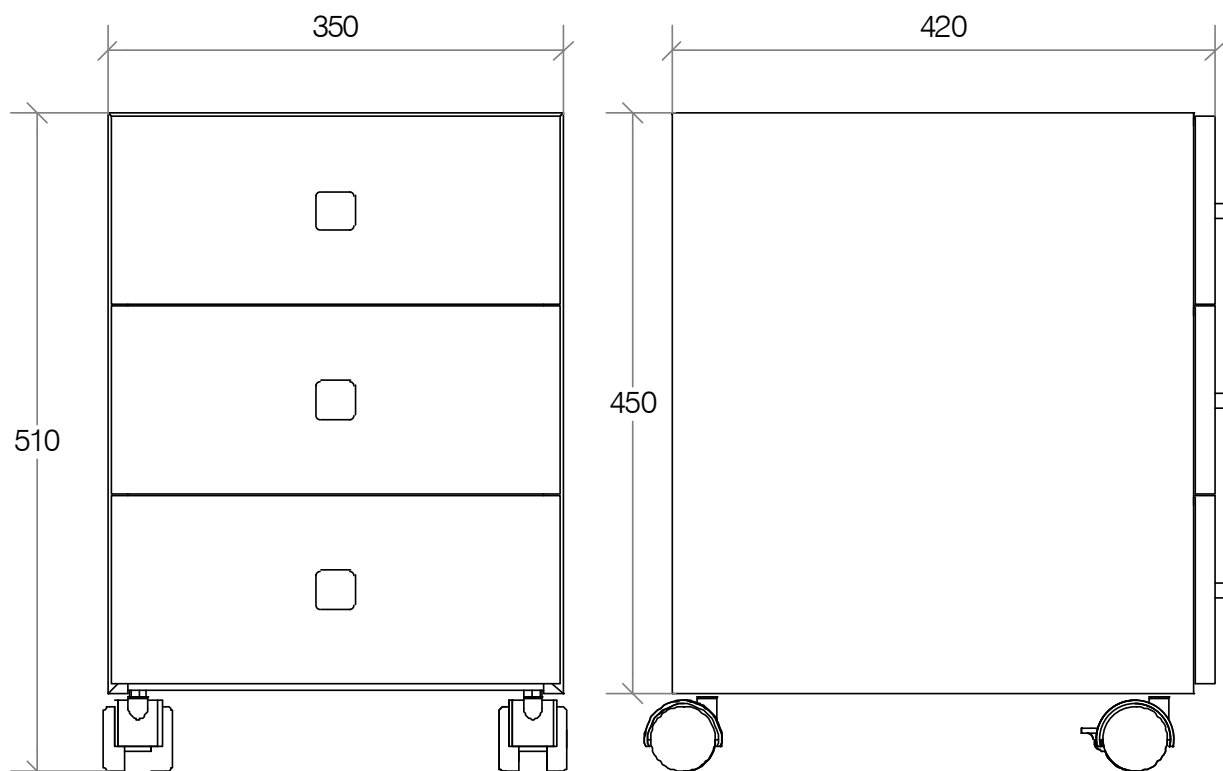
## FINISHINGS

- 5436.09 | verniciato *painted*
- 5436.17 | verniciato *painted*
- 5436.18 | verniciato *painted*
- 5436.21 | verniciato *painted*
- 5436.29.29 - lucido - *polished* |
- 5436.32 - satinato - *satined* |



## SPARE PARTS

<b>R240040309</b>	Kit pomolo quadrato per anta e cassetto bianco/ <i>Square knob for door and drawer white</i>
-------------------	--



# RUNNER 5436

# lineabeta®